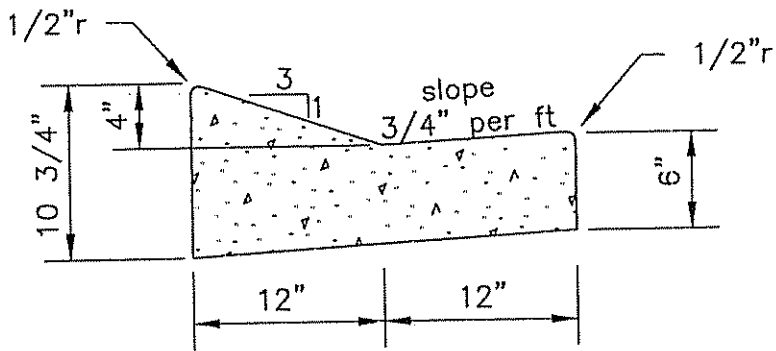
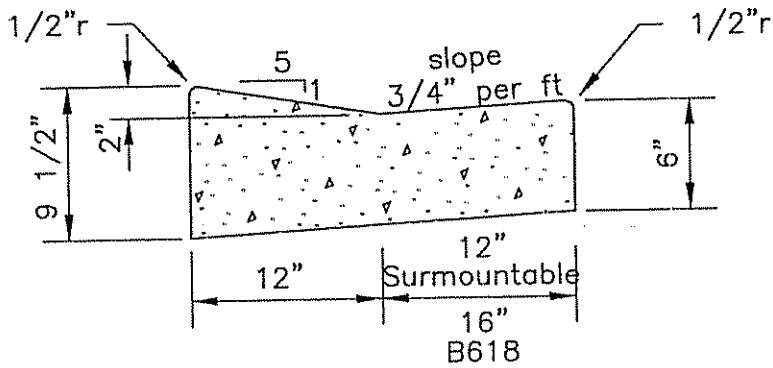


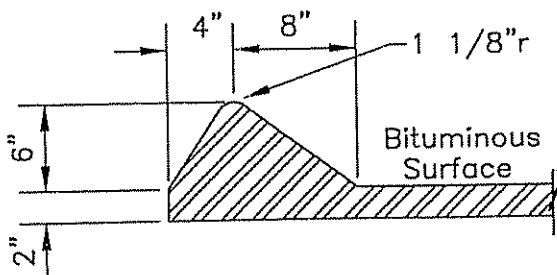
MnDOT B618



SURMOUNTABLE



DRIVEWAY



6" SHOE FORMED

STANDARD DETAILS  
CURB AND GUTTER