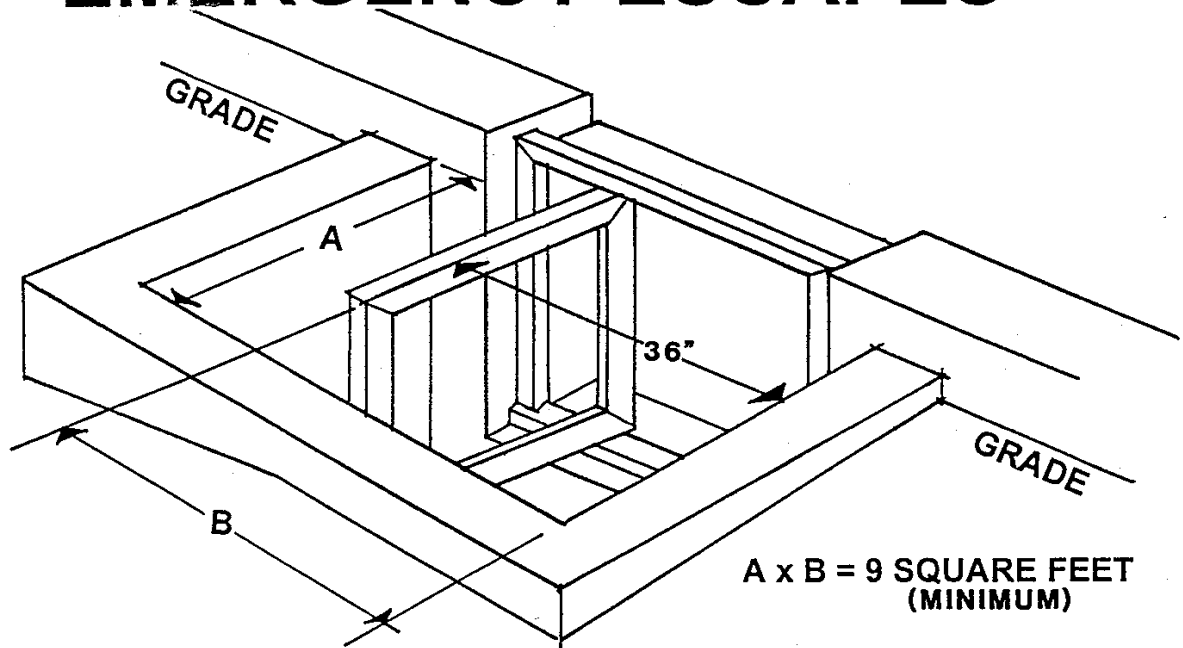
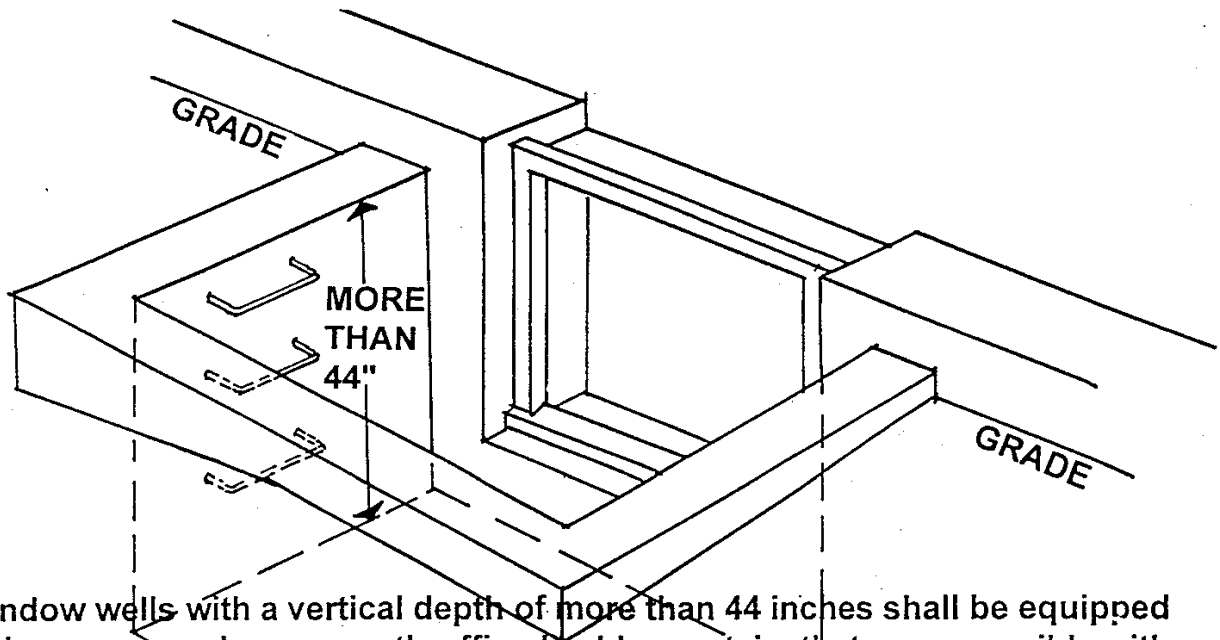


ACCESS AND EXIT FACILITIES AND EMERGENCY ESCAPES



The clear horizontal dimensions shall allow the window to be fully opened and provide a minimum accessible net clear opening of 9 square feet, with a minimum dimension of 36 inches.

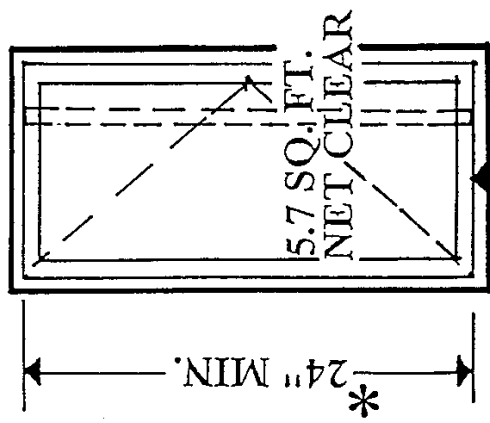


Window wells with a vertical depth of more than 44 inches shall be equipped with an approved permanently affixed ladder or stairs that are accessible with the window in the fully open position. The ladder or stairs shall not encroach into the required dimensions of the window well by more than 6 inches.

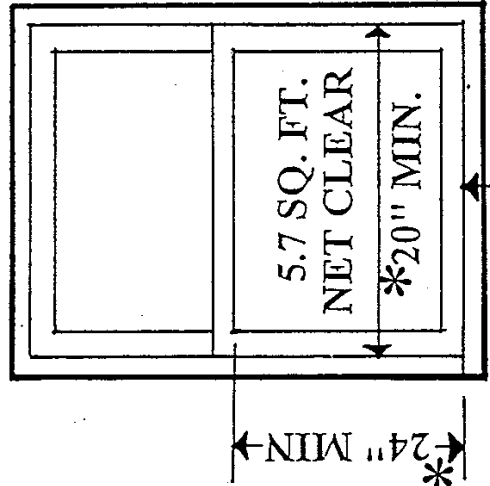
ESCAPE AND RESCUE WINDOWS



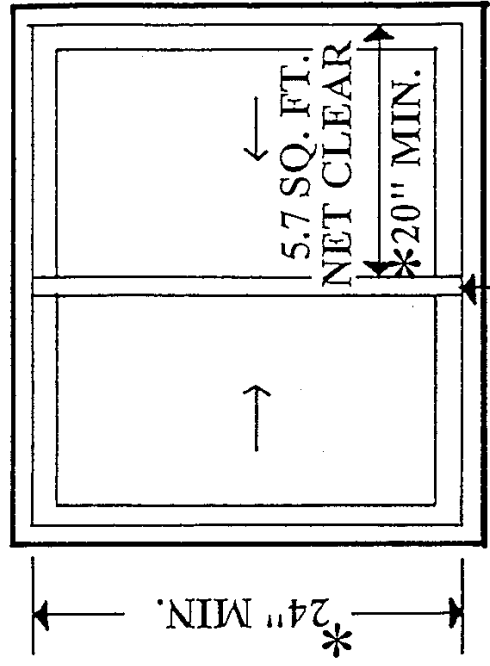
CASEMENT



DOUBLE HUNG



SLIDE BY



MAXIMUM OF 44 INCHES MEASURED FROM FLOOR TO HIGHEST PORTION OF SILL



* NOTE: 20" & 24" ARE MINIMUM DIMENSIONS IN WIDTH & HEIGHT.
TOTAL ESCAPE AREA MUST ALWAYS BE 5.7 SQ. FT. NET